



Individual Blades are the key component to the modular LightBlade fixtures. At 24" (610mm) or 48" (1.2m) wide by 2 1/2" (64mm) deep, the individual LightBlades bring you both versatility and a low profile footprint that can efficiently and discreetly light even the darkest and tightest corners of your set.

Each individual LightBlade can operate as a stand-alone fixture, with internal AC power supply, control electronics with DMX and Local control. Combining superior white light with innovative full-gamut saturated color technology, a single LightBlade delivers up to 5,000 lumens at an 80-watt power draw. Both 24" and 48" LightBlades are the most powerful linear lighting engines on the market.

The LightBlade fixtures offer a unique modular design. LightBlades are integrated into the mounting system to create the LightBlade 160 (2-Blade) and LightBlade 320 (4-Blade) fixtures, delivering 10,000 or 20,000 lumens. The LightBlades in the fixture can be set to operate as an integrated light source, or they can operate independently for dynamic lighting effects.

## APPLICATIONS

- Broadcast
- Film production
- Corporate permanent install lighting
- Schools
- House of Worship
- Nightclubs
- Bars
- Accent lighting

## PRODUCT FEATURES

- Variable CCT 2500k - 10,000K +/- Green Control
- Saturated color control

## PRODUCT SPECIFICATIONS

### LIGHTBLADE 80 2' - PART #1100.0133

Size	24" W x 2.5" H x 2.5" D / 610mm W x 64mm H x 64mm D
Weight	1.4 lbs., .6 kg
Power	80W @ 100-240 VAC
Output	5,000 lumens, 22FC @ 10', 237 Lux @ 3M

### LIGHTBLADE 80 4' - PART #1100.0311

Size	48" W x 2.5" H x 2.5" D / 1.2m W x 64mm H x 64mm D
Weight	2.7 lbs., 1.2 kg
Power	80W @ 100-240 VAC
Output	5,000 lumens, 22FC @ 10', 237 Lux @ 3M

### LIGHTBLADE 160 2' - PART #1100.0135

Size	24" W x 7" H x 3.4" D / 610mm W x 178mm H x 87mm D
Weight	6.8 lbs., 3 kg
Power	160W @ 100-240 VAC
Output	10,000 lumens, 45FC @ 10', 377 Lux @ 3M

### LIGHTBLADE 160 4' - PART #1100.0312

Size	48" W x 7" H x 3.4" D / 1.2m W x 178mm H x 87mm D
Weight	11.4 lbs., 5.1 kg
Power	160W @ 100-240 VAC
Output	10,000 lumens, 45FC @ 10', 377 Lux @ 3M

### LIGHTBLADE 320 2' - PART #1100.0136

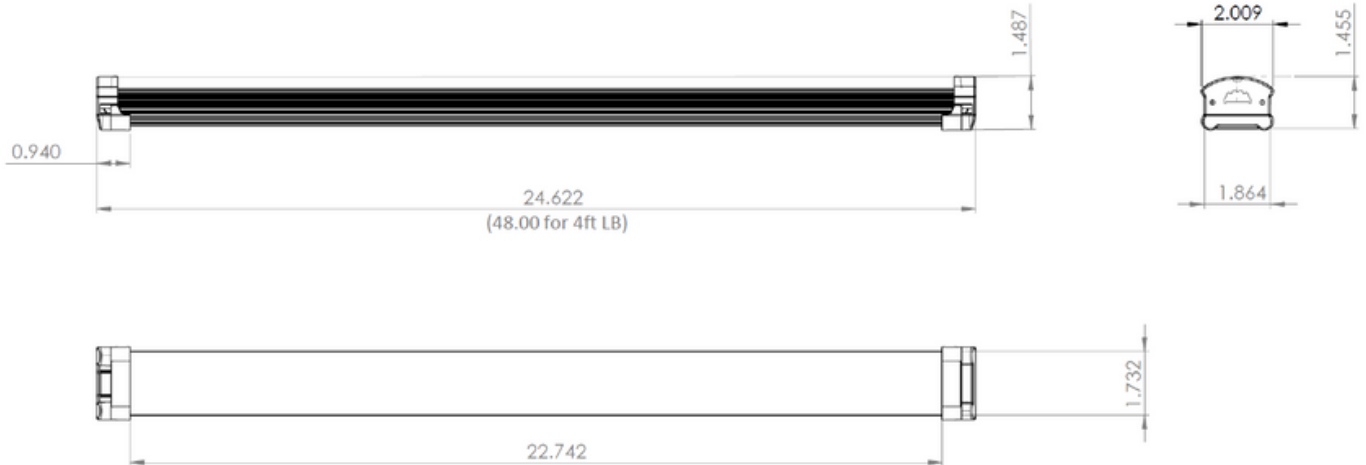
Size	24" W x 12.5" H x 4.7" D / 610mm W x 317.5mm H x 120mm D
Weight	9.6 lbs., 4.4 kg
Power	320W @ 100-240 VAC
Output	20,000 lumens, 90FC @ 10', 970 Lux @ 3M

### LIGHTBLADE 320 4' - PART #1100.0314

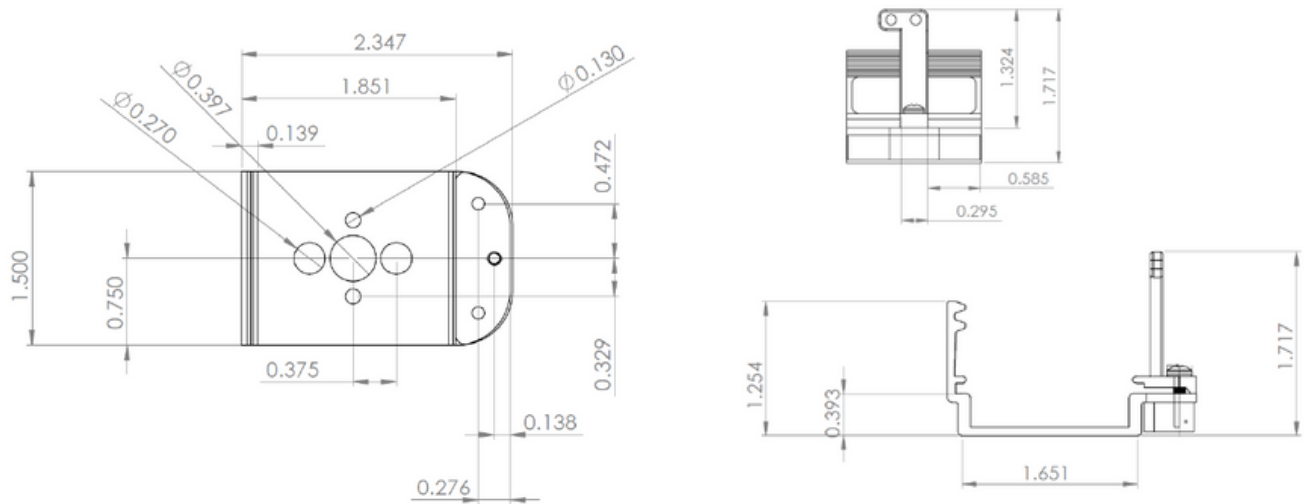
Size	48" W x 12.5" H x 4.7" D / 1.2m W x 317.5mm H x 120mm D
Weight	16 lbs., 7.5 kg
Power	320W @ 100-240 VAC
Output	20,000 lumens, 90FC @ 10', 970 Lux @ 3M

## PRODUCT SPECIFICATIONS

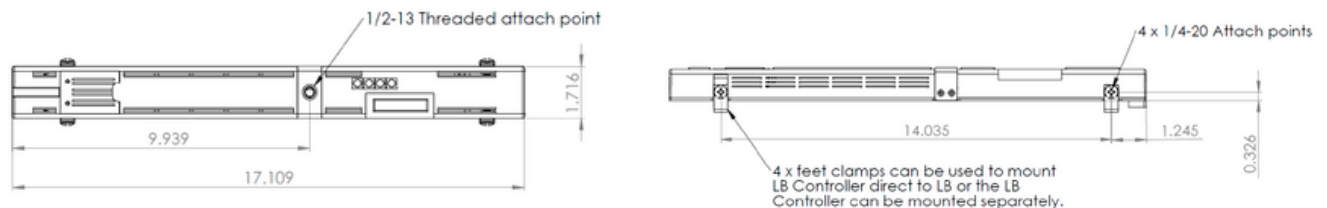
### CINEO 2' LIGHTBLADE



### CINEO QUICKCLICK FOR USE WITH 2' & 4' LIGHTBLADES



### 80W DMX CONTROLLER FOR USE WITH 2' & 4' LIGHTBLADES



## PRODUCT SPECIFICATIONS

### SOURCE

LED details	1,800 cells of HiCRI 2700K / HiCRI 6500K / Red / Blue / Green LEDs
Max Lumens at 5600K	20,000Lumens
L70 rating (hours to 70% Output)	>50,000

### COLOR

Color Used:	2,700K 97 CRI / 6500K 97CRI / Red 645NM / Green 535NM / Blue 455NM
Color temperature range:	2,500K - 10,000K
Calibrated Array:	Yes

### CONTROL

Local control:	Local control
Input Method:	5-pin XLR
Protocols:	DMX-512, RDM, sACN
Zonal control:	Up to 4 zones
RDM configuration:	YES

### PHYSICAL

Materials:	Cast and extruded aluminum
Mounting options:	Baby Pin Mounting
IP:	N/A
Weight:	1.4lbs to 16lbs.
Dimensions:	24"w x 48"h x 5"d (1.2m w x .6m h x 133mm d)

### OPTICAL

Beam Angle:	150° Lambertian
Aperture Size:	48in W x 2.5in H
Camera Flicker Free:	Flicker Free > 10,000FPS

### WARRANTY

Fixture:	2 Years
----------	---------

### ELECTRICAL

Voltage range:	120 - 240 VAC 50/60Hz
Input method:	AC via Neutrik TRUE1
Wattage:	300w 120 V - 300w 240v
Current Draw:	1.45A 120V - 1A 240V

### THERMAL

Ambient operating temp:	0 –40 C (32 –104 F)
Fan:	No fan
dB range:	0
BTUs/hour (120V):	2,730

## PRODUCT SPECIFICATIONS

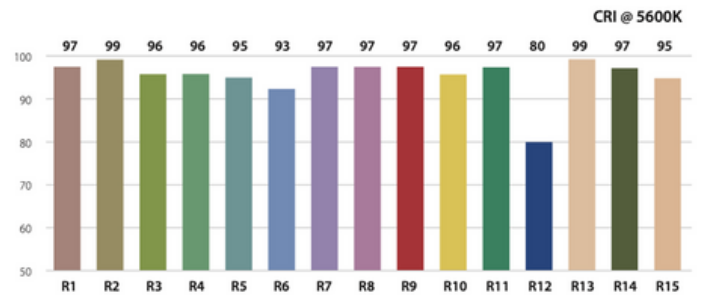
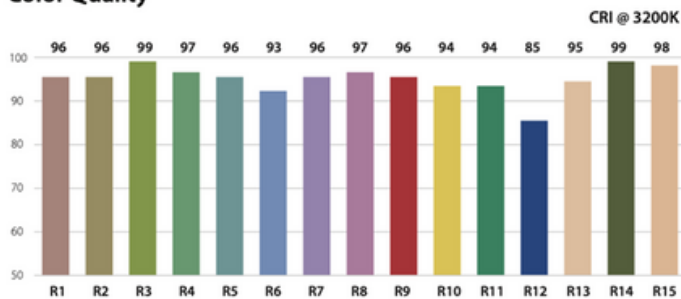
### ACCESSORIES

<b>PART #:</b>	<b>DESCRIPTION:</b>
1100.0201	Lightblade Edge Mounting System (4-piece includes twist plate, Orbit A..
1100.0200	Lightblade Edge Mounting Plate w/ Baby Pin and 3/8" Threaded Adapter
1100.0021	10' Lightblade RJ50 Cable
1100.0020	1' Lightblade RJ50 Cable
1100.0110	Lightblade QuikCliik connector, REV.2
1100.0023	6" Lightblade RJ50 Cable
1100.0060	5/8" Baby Pin with 3/8 for Lightblades
1100.0019	1' Lightblade RJ45 Cable
1100.0901	LB2-80 Snapgrid
1100.0905	LB2-160 Snapbag
1100.0910	LB2-160 Snapgrid
1100.0903	LB2-320 Snapbag
1100.0911	LB2-320 Snapgrid
1100.0904	LB4-160 Snapbag
1100.0912	LB4-160 Snapgrid
1100.0902	LB4-320 Snapbag
1100.0906	LB4-320 Snapgrid

## PRODUCT SPECIFICATIONS

	LightBlade 2'	LightBlade 4'	LightBlade 160 2'	LightBlade 160 4'	LightBlade 320 2'	Lightblade 320 4'
<b>FC @ 10'</b>	22	22	45	45	90	90
<b>Lux @ 3M</b>	237	237	377	377	970	970

### Color Quality



### CIE Color Space

