

PART #1100.0401



The LB800 is a 10 zone full color LED with complete local or remote control over every zone. At 4' x 2' this fixture is an incredible key light that can be close in on talent to provide that soft beautiful white light you have come to expect from CINEO. With the addition of the touch screen control via the C2oS StageLynx software the LB800 is capable of over 64K presets and effects that are easy to program. This level of customization makes it possible to create looks and effects that in the past would have involved a lighting console and hours of programming. Beyond the extraordinary white spectrum you expect with Cineo products the LB800 has full RGB capabilities.

APPLICATIONS

- Film and Television
- Virtual Production
- Commercial productions
- Corporate video

PRODUCT FEATURES

- C2Os StageLynx software on fixture
- Wired Network, WIFI, CRMX, DMX / RDM
- WIFI Hotspot capable
- Virtual Production capable
- 10 independent color zones
- Variable CCT 2,000k - 10,000K +/- Green Control
- 50,000 Lumens Output
- Saturated Color Control
- User effects / Presets Recorder and player

PRODUCT SPECIFICATIONS

SOURCE

LED details	1,800 cells of HiCRI 2700K / HiCRI 6500K / Red / Blue / Green LEDs
Max Lumens at 5600K	48,000 Lumens
L70 rating (hours to 70% Output)	>50,000

COLOR

Color Used:	2,500K 97 CRI / 6500K 97CRI / Red 645NM / Green 535NM / Blue 455NM
Color temperature range:	2000K - 10,000K
Calibrated Array:	Yes

CONTROL

Local control:	C2Os StageLynx software on fixture
Input Method:	5-pin XLR, CRMX Wireless, WIFI, RJ45 Ethernet,
Protocols:	Stagelynx, DMX-512, RDM, Lumenradio, sACN
Zonal control:	Up to 10 zones
Personalities:	33 personalities (1-84 channels)
RDM configuration:	YES
UI type:	HD Color touchscreen
Factor Preset Library:	300 Preset Colors / Digital gels
User presets Recorder and player:	Record and play > 64K preset files
User effects Recorder and player:	Record and play > 64K effect files
Configurable Color LUT:	Allows color matching with other manufacturers
Log Recorder:	Records all lighting data with timestamp
Color Calibration Utility:	Embedded calibration app Compatible with Sekonic 700, 800, 7000 series meters via USB
Software Upgradable:	Via USB, wired network, WIFI

OPTICAL

Beam Angle:	150° Lambertian
Aperture Size:	47.5in x 23.5in (1220 x 610mm)
Camera Flicker Free:	Flicker Free > 10,000FPS

NETWORKING

Wireless:	CRMX / IP WIFI
WIFI Band:	2.4 GHz and 5 GHz
IP Network (Ethercon & RJ45):	DHCP / Managed IP Network control

ELECTRICAL

Voltage range:	120 - 240 VAC 50/60Hz
Input method:	AC via Neutrik TRUE1
Wattage:	800w
Current Draw:	6.7A 120V - 6.25A 240V

THERMAL

Ambient operating temp:	0 –40 C (32 –104 F)
Fan:	No fan
dB range:	0
BTUs/hour (120V):	2,730

PHYSICAL

Materials:	Cast and extruded aluminum
Mounting options:	Landscape Yoke, Portrait Yoke, 3/8-16 Mounting Points
IP:	N/A
Weight:	55lbs (25kg)
Dimensions:	24" W x 48" H x 5" D (609mm W x 1219mm H x 127mm D)

WARRANTY

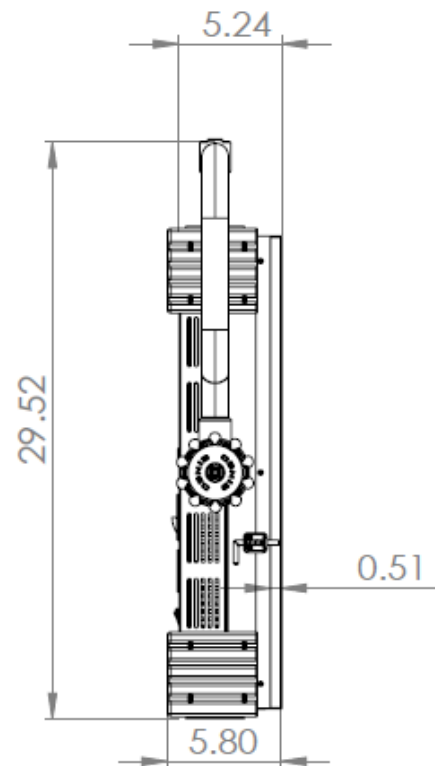
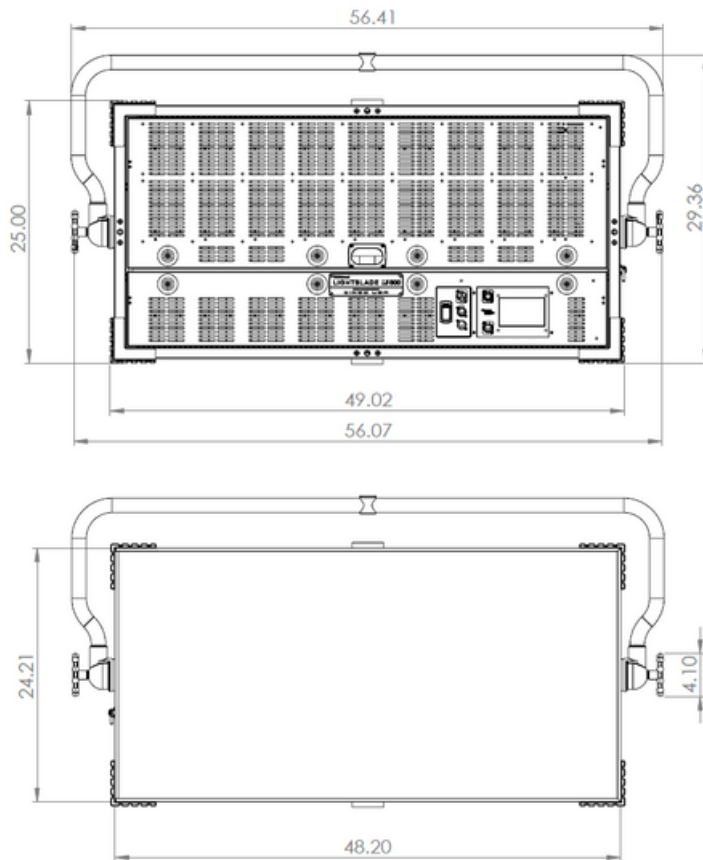
Fixture:	2 Years
----------	---------

PRODUCT SPECIFICATIONS

ACCESSORIES

PART #:	DESCRIPTION:
1100.0899	LB800 Snapbag
1100.0898	LB800 Snapgrid
1100.0900	LB800 Snap Bag Frame

PRODUCT DIMENSIONS



PRODUCT SPECIFICATIONS

WITH DIFFUSER

ILLUMINANCE FOOT CANDLES

MODE	10' / 3M	20' / 6M	30' / 9M
3200K	154	39	17
4300K	248	62	28
5600K	168	42	19

ILLUMINANCE LUX

MODE	10' / 3M	20' / 6M	30' / 9M
3200K	1,660	415	184
4300K	2,670	668	297
5600K	1,810	453	201

WITHOUT DIFFUSER

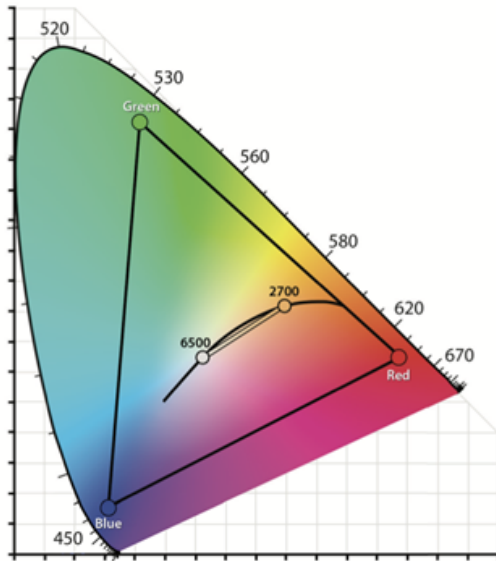
ILLUMINANCE FOOT CANDLES

MODE	10' / 3M	20' / 6M	30' / 9M
3200K	174	43	19
4300K	279	70	31
5600K	2,030	47	21

ILLUMINANCE LUX

MODE	10' / 3M	20' / 6M	30' / 9M
3200K	1,870	468	208
4300K	3,000	750	333
5600K	2,030	453	226

CIE Color Space



Color Quality

